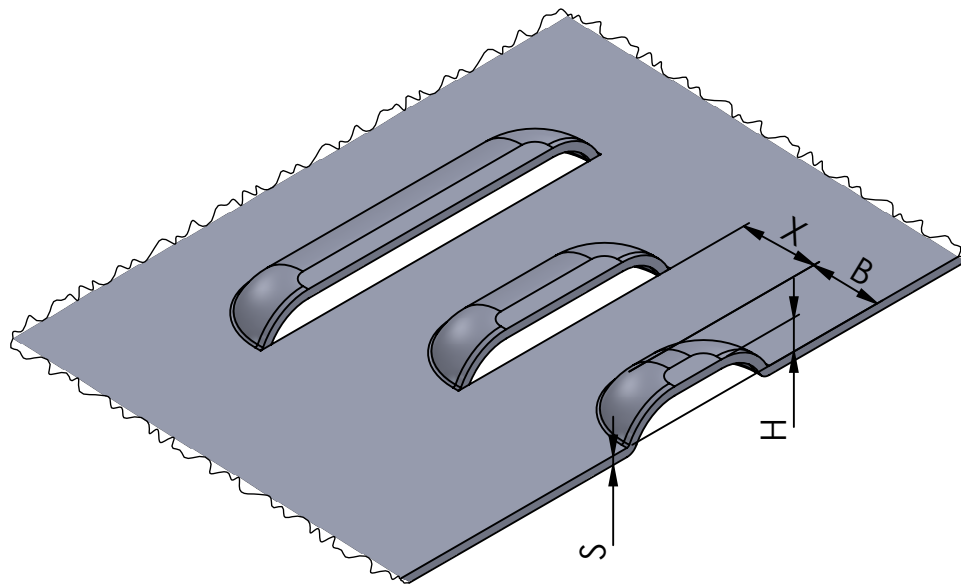


# CONTINUOUS LOUVER



MACHINE MODEL: .....  
MATERIAL: .....  
B : .....  
H : .....  
S : .....  
X : .....