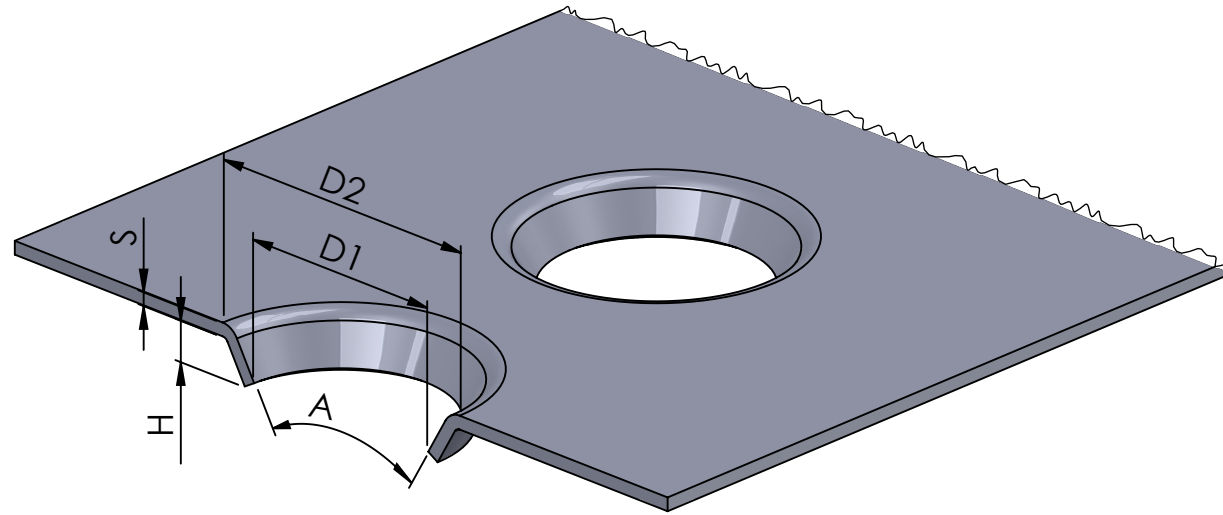


COUNTER SINK DOWN



MACHINE MODEL:
MATERIAL:
A :
D1:
D2:
H :
S :