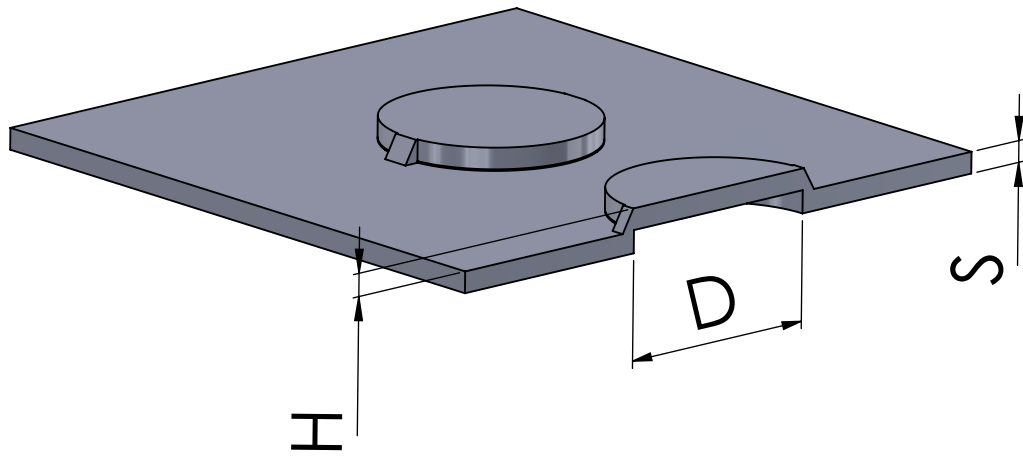


# KNOCK OUT UP



MACHINE MODEL: .....  
MATERIAL: .....  
D : .....  
H : .....  
S : .....